



Pushesh Gostar



Smoke and Fire Curtains

PUSHESH GOSTAR QESHM

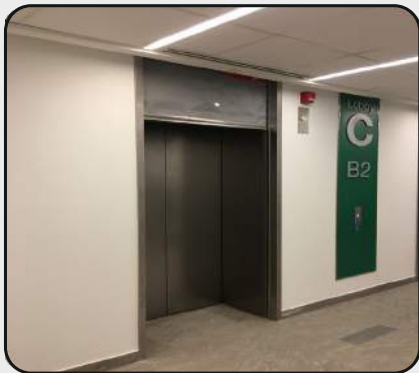


- Automatic Smoke Curtains
- Automatic Fire Curtains
- Fixed Draft Curtains

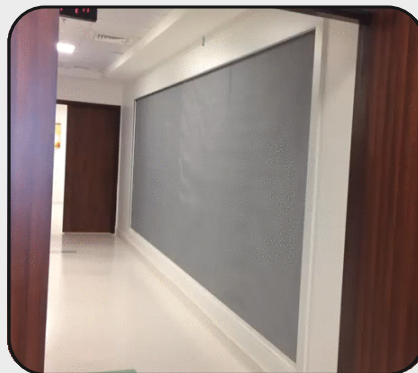
پوشش گستر قشم



ABOUT US



Kent Smoke Seal Curtains
Sengkang Hospital



Kent Fire Curtains
Jeddah Hospital



Kent Smoke Curtains
Dubai University

Kent Smoke and Fire Curtains is a British owned company having it's manufacturing plant in the heart of middle East, Dubai - UAE. Kent is the sole manufacturer in the GCC providing fire safety solutions with dexterous work and quality product serving across the World. We expertise in the production of Automatic Fire Curtain, Automatic Smoke Curtain and Draft Curtain under both UL and BS EN standards.

With a facility Spreading across 3780 Sq meter area having advanced technology and agile Team, Kent is armed to cater the growing demands for Active and passive design fire solutions in the dynamic construction landscape existing in the GCC Market and across the Globe. Kent has the ability to provide bespoke solutions in line with modern day architectural designs.

Our mission is to ensure our clients receive the product manufactured to the highest quality together with certification of the highest level. **We are concerned about your safety which is our responsibility and we commit to offer life safety systems bearing high quality, aiming at honoring our commitments by ensuring our systems meet the highest international quality standards**

The Kent Automatic smoke and Fire curtains have been tested in accordance with BS, BS EN and UL standards and are covered by CERTIFIRE- Third party accreditations together with UL follow up service. Kent management systems are registered and certified by ISO 9001:2015. In addition, the products are certified by Dubai Civil Defence, Kuwait Civil Defence, Qatar Civil Defence and Hong Kong FSD.

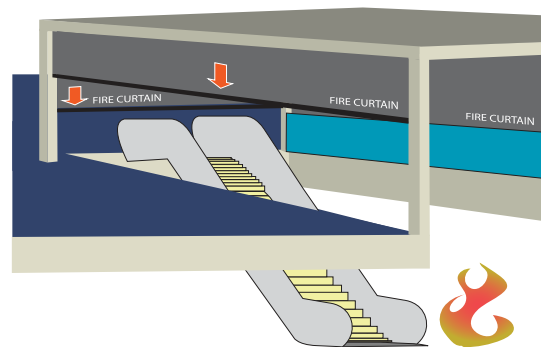
CERTIFICATIONS AND APPROVALS

 <p>CE CERTIFIED AND APPROVED</p>	 <p>NATIONAL FIRE PROTECTION ASSOCIATION CERTIFIED</p>	 <p>EXOVA WARRINGTON TESTED AND CERTIFIED</p>	 <p>BUILDING RESEARCH ESTABLISHMENT-THIRD PARTY ACCREDITATION</p>
 <p>CERTIFIRE THIRD PARTY ACCREDITATION</p>	 <p>UL FOLLOW UP AND ONLINE LISTING</p>	 <p>UL LAB TESTED, CLASSIFIED</p>	 <p>HONG KONG FIRE SAFETY DEPARTMENT APPROVAL</p>
 <p>DUBAI CIVIL DEFENCE APPROVAL</p>	 <p>مركز تحقیقات راه مسکن و شهرسازی</p>	 <p>QATAR CIVIL DEFENCE APPROVAL</p>	 <p>ISO 9001:2015 CERTIFICATION™ Intertek</p>

APPLICATIONS

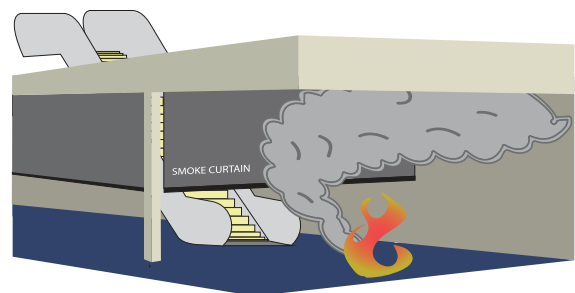
1. VOID EDGE SEPARATION

Escalators and stairs create gaps between floors. These gaps are critical points that need to be sealed off in the event of a fire to stop the spread of fire and smoke from lower to upper levels. By deploying on the upper level, fire curtains create a physical barrier against fire.



2. SMOKE RESERVOIRS

Escalators and stairs create gaps between floor compartments that need to be sealed off in the event of a fire to stop the spread of fire from lower to upper levels.



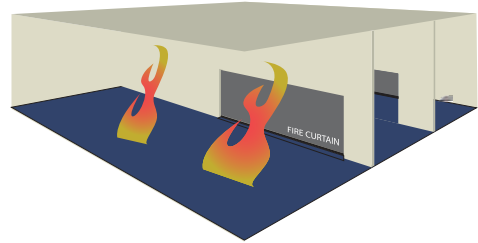
3. LIFT LOBBY & ELEVATOR SEPARATION

Elevator shafts are easy conduits for the spread of fire and smoke which can engulf an entire building in minutes. Elevator doors might be fire rated but cannot create a seal against the passage of smoke. Fire curtains with a smoke seal replace smoke stop lobbies in front of the elevator doors. While virtually invisible when retracted above the elevator frame, they create a seal that greatly reduces smoke leakage through elevator shafts and elevator doors.



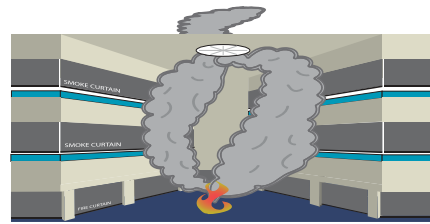
4. FIRE COMPARTMENTALIZATION

To prevent spread of fire from one zone to another, fire curtains are a vital element of a fire compartmentalization strategy. On deployment, they create a physical barrier against the spread of fire and control the spread of fire through a building.



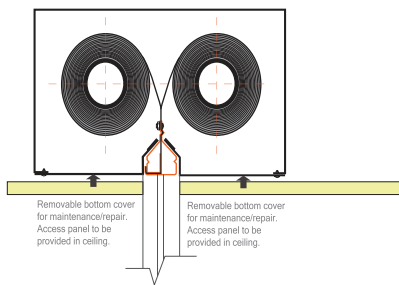
5. FIRE & SMOKE STRATEGY

Kent Automatic Fire and Smoke Curtains are indispensable to a successful building fire strategy. Atria create large open spaces that can be quickly engulfed in fire and smoke as it spreads from lower to upper levels. Spread of fire can be limited by fire curtains and smoke curtains can channel smoke to chimneys or extraction fans.

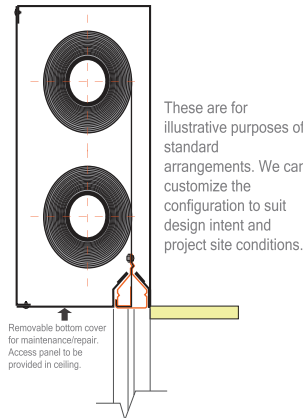


HEADBOX

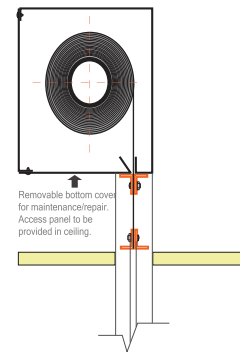
Headbox Arrangement and Ceiling Interface



MULTIPLE ROLLER ASSEMBLIES SHOWING OVER-UNDER AND SIDE BY SIDE ARRANGEMENT WITH BOTTOM BAR FLUSH WITH UNDERSIDE OF HEADBOX

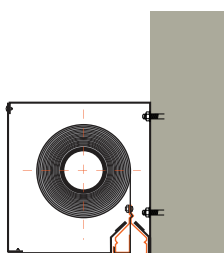


SINGLE ROLLER ASSEMBLY WITH ALTERNATE BOTTOM BAR DROPPED TO CEILING

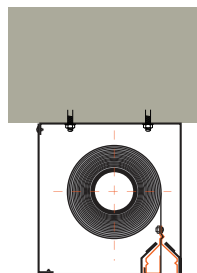


Removable bottom cover for maintenance/repair. Access panel to be provided in ceiling.

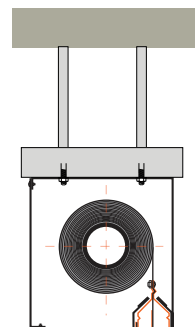
Headbox Fixing



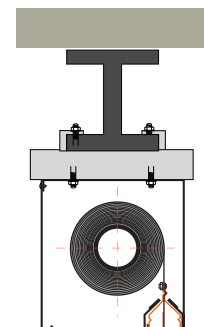
FACE FIXED
Fixed directly to the lintel above an opening.



SOFFIT FIXED
Fixed directly to the underside of the soffit slab.



SOFFIT SUSPENDED
Suspended from soffit via unistruts and drop rods



I-BEAM
Clamped to a steel beam

CURTAIN FABRICS

An important component of a fire and smoke curtain system is the fabric. The fabric is designed to withstand heat, smoke, fire, including temperatures upto 1100°C.

When tested in accordance with BS EN 1634-1 using the Kent VWG690 and VWG520 material, the complete assembly achieved an integrity performance of upto 180 minutes and 120 minutes respectively. Both fabrics are woven glass wire reinforced with stainless steel and coated with a fire retardant polyethylene including aluminum pigment on both sides. The finished product is sewn with stainless steel thread at hem and seam locations ensuring a factory produced, code compliant product.

VG455 is a specially formulated light weight fibreglass fabric, coated with aluminum pigmented polyurethane on both sides of the fabric which creates a reflective heat shield and enhances durability and flexibility of the fabric. The range of Kent fabrics are tested to BS 476 Pt 6 (fire propagation) and Pt 7 (surface spread of flame) and achieved a class 0 classification.



VG 455



VWG 520



VWG 690

KENT CONTROL SYSTEMS



Kent Group Controller



Kent Tubular Motor



Kent Motor Controller

OPTIONAL FEATURES

Push button emergency override	Stand Alone Activation by Fusible Link,
Individual Curtain Override	Smoke / Heat Detector
Remote Test Key Facility	2 Stage Descent
Audio Visual Facility	Delay Deployment
Voice Activation	Delay Reset
Obstruction Sensor	BMS Module

KENT CONTROL SYSTEMS

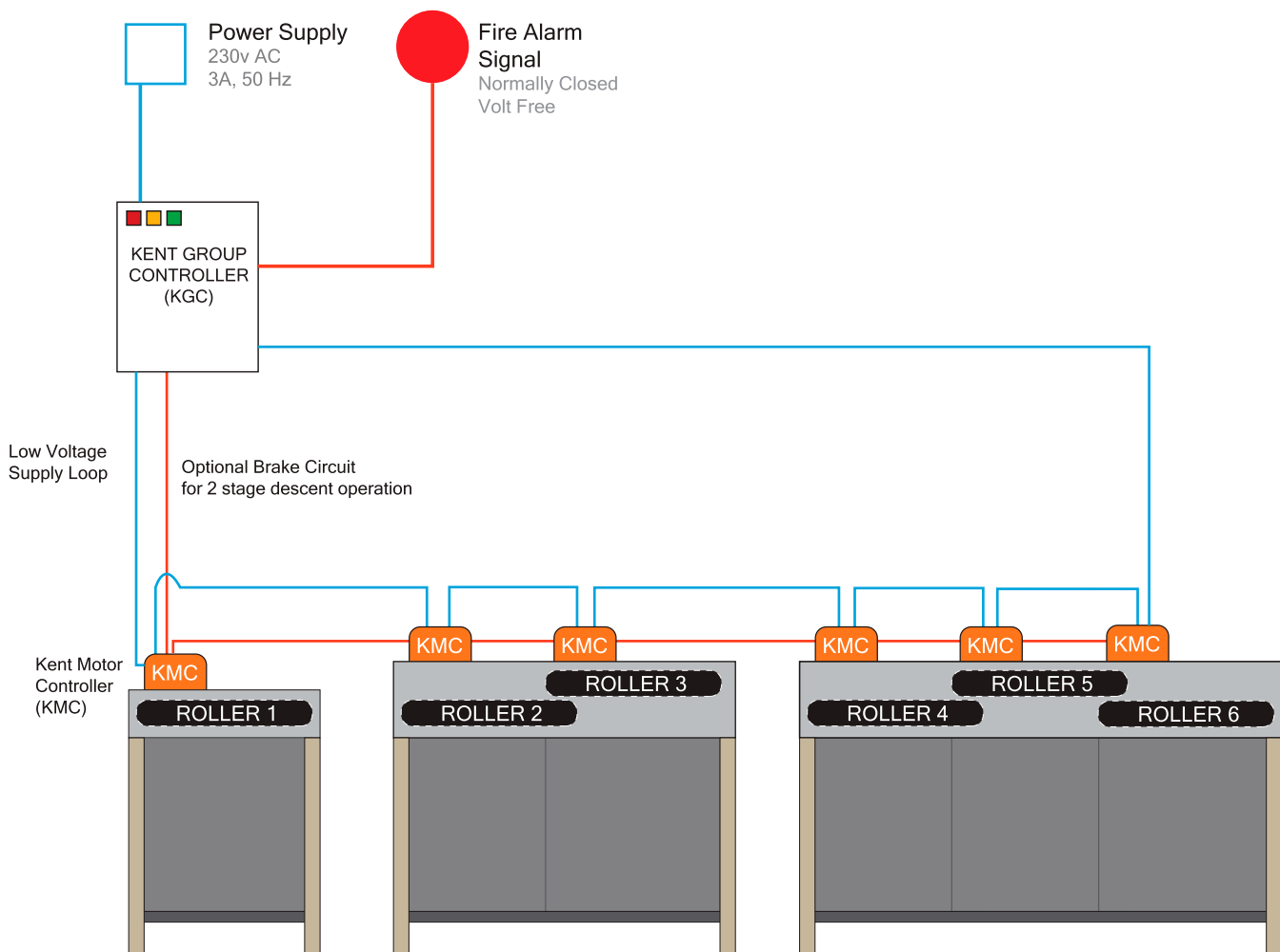
OPERATION IN A FIRE SCENARIO (FIRE ALARM SIGNAL RECEIVED)

The Kent Group Controller (KGC) is powered by a 230v AC, 3 Amp 50 Hz power supply. A pair of normally-closed, volt-free fire alarm contacts supplies the fire alarm signal when commanded by the Building Management System. In its stored position within the headbox, the curtains remains retracted and held in place by a low voltage supply (24v DC) to the curtain motors. Upon receipt of a fire alarm signal, the supply to the motor controller is removed, which releases the curtains. Using Kent's Guaranteed Gravity Fail Safe System, the curtains deploy to the operational position at a controlled rate under the force of gravity. No power source is required for curtain deployment.

OPERATION IN CASE OF LOSS OF POWER (NON-FIRE SCENARIO)

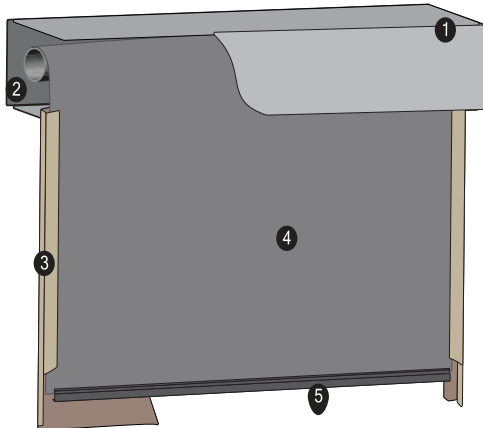
In the event of a mains power failure, each KGC is supplied with a battery back-up system providing up to a minimum of 60 minutes of power to the curtain motors. This prevents unintentional deployment of the curtain in a non-emergency situation. Upon exhausting the battery back-up, the curtain will descend safely under gravity.

CURTAIN TESTING



One KGC has the ability to control a maximum of 6 no.x 20 Watt motor. If the number of motore exceedds 6, KGC's can be linked together. This avoids the need for each KGC to be supplied with its own fire alarm signal. This set up also ensures synchronous descent of multiple curtains. Should a 2 stage descent is required, a brake is added to the motor which is energised by an additinal brake cable shown in the schematic.

SINGLE ROLLER ASSEMBLY



SINGLE ROLLER ASSEMBLY
Smaller widths can be spanned by a single roller assembly.



1. HEADBOX

The steel headbox houses the roller, fabric and motor within the casing creating a small compact package that remains virtually invisible above the ceiling.

2. ROLLER AND TUBULAR MOTOR

A tubular motor drives a steel roller tube to retract and deploy the fabric from normal position in the headbox to its operational position.

3. GUIDE RAIL

During deployment, slim steel side guides prevent derailment of the fabric during operation ensuring integrity of the system when faced by positive or negative pressures of a real fire.

4. FABRIC CURTAIN

Woven fiberglass wire reinforced fabric with individual panels stitched and hemmed using stainless steel thread.

MULTIPLE ROLLER ASSEMBLY

5. STEEL BOTTOM BAR

The Kent profile bottom bar provides weight and stability to the system ensuring a gravity fail safe deployment.

6. OVER-UNDER ROLLER ARRANGEMENT

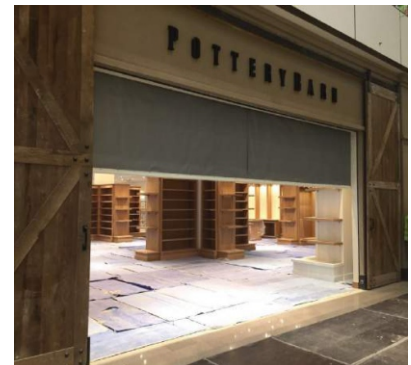
An over-under or side by side arrangement of the barrels (to suit the project requirements) allows multiple rollers to be enclosed in a single compact headbox.

7. FABRIC OVERLAP

Multiple rollers utilize the use of a 500mm overlap arrangement which removes the need for intermediate side guides and minimizes the potential for roller bounce.

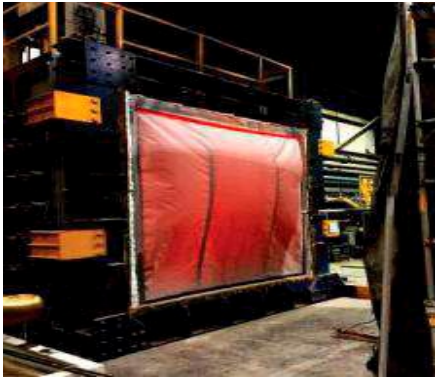
8. CONJOINED BOTTOM BAR

A conjoined bottom bar runs the entire width of the curtain.





KENT AUTOMATIC FIRE CURTAINS (AFC Series)



Single Barrel

Kent Automatic Fire Curtains are life safety systems that are designed to arrest the spread of fire in a building. The assembly comprises a fire resistant fiberglass fabric wound around a roller which is encased in a compact head box that is typically installed above the ceiling to be virtually invisible until activated.

The Fire Curtains create a barrier to fire, remaining virtually invisible when the curtains are stored in its retracted position within the compact head-box. The curtain descends at a controlled speed upon receipt of signal from a fire alarm and provides resistance for upto 180 minutes

SYSTEM TESTED IN ACCORDANCE WITH

- BS EN 1634-1:2014 (Fire Resistance)
- BS EN 1634-3:2014 (Smoke Control Test)
- UL 10D
- UL 1784
- Fabric Tested to BS 476 Pt 6 & Pt 7. Class 0
- BS 5234-2:1992 Method of Test as set out within BS 8524-1:2013 Double Severe Duty Impact Test
- System tested in Single & Multiple Barrel Orientation

COMPLIANCE

- CERTIFIRE- Third Party Accreditation
- System compliant with 13501-1:2007 + A1 2009
- BS EN Oversize Certification upon Request
- UL Oversize Certification upon Request
- Dubai Civil Defence Approved
- Kuwait Civil Defence Approved

PRODUCT DESIGNATION	
MODEL NO	STANDARD
AFC01S-455	UL
AFC01M-455	UL
AFC03S-690	UL
AFC03M-690	UL
AFC01S-455S	UL
AFC01M-455S	UL
AFC03S-690S	UL
AFC03M-690S	UL
AFC02S	BS EN
AFC02M	BS EN
AFC03S	BS EN
AFC03M	BS EN

FIRE RESISTANCE (E)

- 60 minutes for VG 455
- 120 minutes for VWG 520
- 180 minutes for VWG 690

RADIATION PROTECTION (W)

- Upto 60 minutes < 15kW/m²



Victoria Secret- Pink Unit

Kent Automatic Smoke Curtains assist the management of smoke in a building, channelising the movement of smoke to smoke extraction points in the building or creating reservoirs to slow down the spreading of smoke. The curtains remain virtually invisible in their retracted position within the compact head-box.

When signalled by a local detector or fire alarm system, the curtain descends to the operational level using the gravity fail safe system.

SYSTEM TESTED IN ACCORDANCE WITH

- BS EN 12101-1 Annex B (Reliability, Response time & Material Durability)
- BS EN 12101-1 Annex C (Air Leakage)
- BS EN 12101-1 Annex D (Fire Resistance Test)
- UL 10D, UL 1784
- Fabric Tested to BS 476 Pt 6 & Pt 7, Class 0
- BS 5234-2:1992 Method of Test as set out within BS 8524-1:2013 Severe Duty Impact Test (with Side Guides)
- System tested in Single & Multiple Barrel Orientation
- Tested to ASTM E 84 & UL 723 for VG455 Fabric

COMPLIANCE

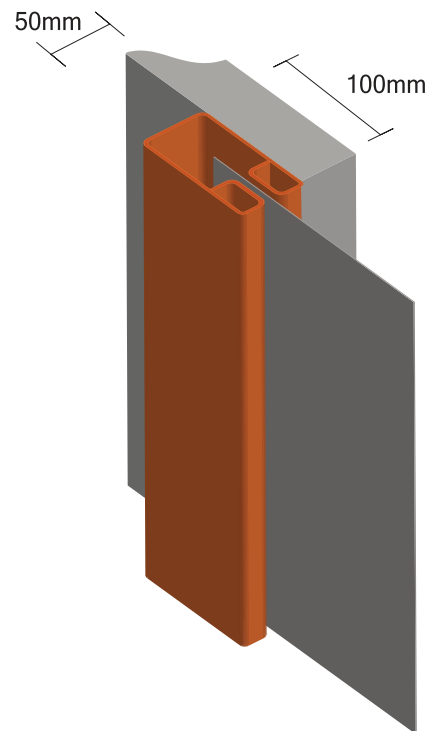
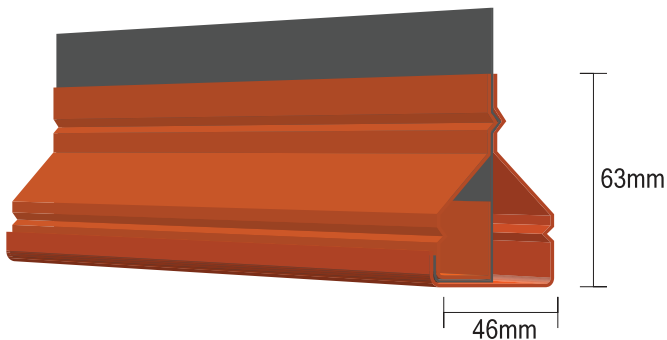
- CERTIFIRE- Third Party Accreditation
- CE Labelled D120
- CE Labelled DH60
- 13501-1:2007 + A1 2009
- UL Listed & Classified
- Dubai Civil Defence Approved
- Kuwait Civil Defence Approved
- Hong kong Fire safety approval

FIRE INTEGRITY

- 120 minutes at 600°C (BS EN 12101-1 Annex D)
- 60 minutes at 1000°C (BS EN 12101-1 Annex D)
- 60 minutes at 1000°C (UL 10D)

PRODUCT DESIGNATION	
MODEL NO	STANDARD
ASC01S-455	UL
ASC01M-455	UL
ASC03S-690	UL
ASC03M-690	UL
ASC01S-455S	UL
ASC01M-455S	UL
ASC03S-690S	UL
ASC03M-690S	UL
ASC01 D	BS EN
ASC01 DH	BS EN

BOTTOM BAR



BOTTOM BAR

Our bottom bar profile is designed to provide the necessary weight to draw the curtain down during a gravity safe deployment and to stabilize the curtain during descent. Rolled from galvanized steel, we can powdercoat the bottom bar to match

Our fire curtain steel side guides can be powdercoated to blend in with the surround wall. In a real fire, these guides help the curtains withstand positive and negative pressures. The stitched fabric inserted into the guide rail is provided with retainer tabs for added strength.

Designed to be slim and as unobtrusive as possible, the side guides can be fixed to the building structure in 3 ways illustrated above. Our side guides are provided with capped holes that allow for bolting the guides to the wall without the need for visible fixing angles, further reducing the guide footprint.

PROJECT REFERENCE OF NOTE

UNITED ARAB EMIRATES



Atlantis, The palm

- Atlantis, the Palm
- AL Maktoum Hospital
- H&M Mall of Emirates

UNITED ARAB EMIRATES



Midfield Terminal, Abu Dhabi

- Midfield Terminal
- Dubai Mall Fashion Zone
- Dubai University

UNITED ARAB EMIRATES



Dubai Arena

- Bubai Arena
- Magic Planet
- WTC SOUK

SINGAPORE



Abbie

- Abbie
- Zulin Warehouse
- 101 Eunos Commercial

SINGAPORE



Singapore Changi Airport

- Singapore Changi Airport
- Tulin Warehouse Tampines
- Terminal one Airport

SINGAPORE



Sengkang Hospital

- Seng Kang
- Woodlands
- Terminal 2 Airport

QATAR



Doha Festival City

- Doha Festival City
- Pottery Barn
- H & M

QATAR



Gold line metro, Doha

- Qatar Gold Line Metro
- Pink
- Sephora

NEW ZEALAND



Keans Building

- Keans Building

UNITED KINGDOM



Heathrow Airport, London

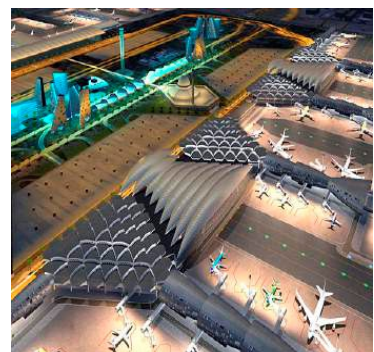
- Heathrow Airport
- Liberty London
- Ardmore



JLP, Oxford Street London

- JLP Oxford Street
- Chobham Manor
- Lansdowne

SAUDI ARABIA



Riyadh Airport

- Riyadh Airport
- Dr. Samir Abbas Hospital
- Riyadh Metro

PROJECT REFERENCE OF NOTE

IRAN



Farmanie Mall

- Farmanie fire curtain lobby elevators

IRAN



Qods Hotel Mashhad

- Qods Hotel Mashhad Fire curtains

IRAN



Plasco Building

- Smoke curtains around atria
- Fire curtains to separate north and south buildings

IRAN



Sirjan mall

- Smoke and fire curtain

IRAN



Iran Mall

- Fire and smoke curtains in the exhibition hall

SOUTH AFRICA



Water and sanitation project

- Water and sanitation, Pretoria

SAUDI ARABIA



Le Meridian Hotel

- Le Meridian
- Golden Tower
- Tabayah Mall

SAUDI ARABIA



Samir Abbas Hospital

- Samir Abbas Hospital
- Mekkah Mall
- Soliman Fakeeh Hospital

INDIA



Grand Hyatt New Delhi

- Grand Hyatt
- Ascot Hotel
- Swiss Air Bangalore

INDIA



Indira Gandhi International Airport

- IGI Airport
- Ambience Mall
- Citi Bank

Oman



Omantel

- Omantel Muscat

Oman



Oman Drydock

- Oman Drydock



پوشش گستر قشم

تهران، شهرک غرب، خیابان حسن سیف،
کوچه ۱۲، پلاک ۳، ساختمان پوشش گستر قشم

 WWW . PGCO . CO

 info @ PGCO . CO

 @ PGCO . CO

 ۰۲۱ - ۴۲۷۵۴